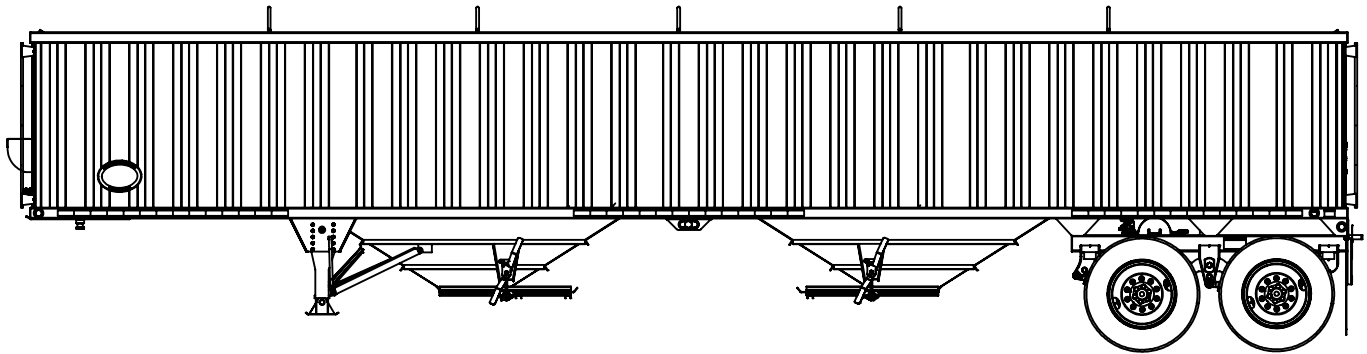


PARTS BOOK



STANDARD GRAIN HOPPER TRAILER
40' LENGTH 68" SIDE HEIGHT

CONSTRUCTION TRAILER SPECIALISTS, INC.

2535 ROSE PARKWAY
SIKESTON, MO 63801
TOLL FREE: 888-669-0003
PH: 573-481-0941
FX: 573-481-0953
E-MAIL: parts@trailerbuilders.com
www.constructiontrailerspecialsts.com

Thanks for choosing Construction Trailer Specialists, Inc., we manufacture a line of trailers in a size to fit your needs.

-End dump trailers in Light Weight, Half Round or Elliptical configurations available Frameless, Quarter Frame or Full Frame. Elliptical scrap/demo trailers available in lengths from 22 to 40 ft, with 46-100 inch sides.

-Bottom dump trailers in 32-42 ft lengths, with Low Profile, Lightweight, and Insulated Hot Mix versions available.

-Grain trailers in 34-42 ft lengths.

-Walking floor trailers

-Side dump trailers

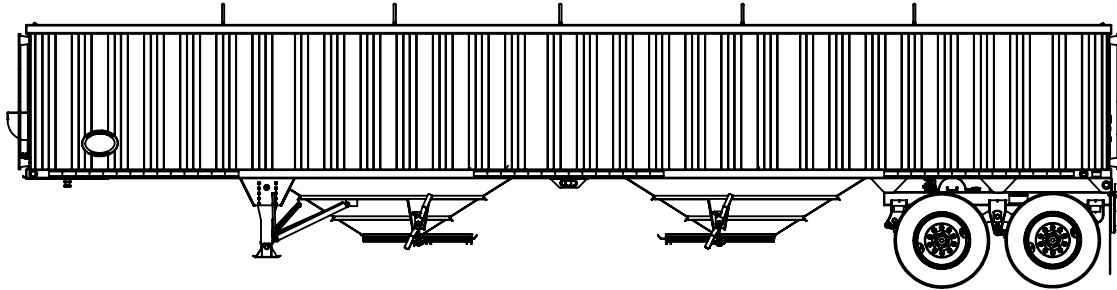
-In addition, we offer a variety of suspension and tarp options to suit your needs.

When ordering parts be sure to have the trailer's vehicle identification number (VIN) at hand so we can be sure to get you the correct parts for your trailer.

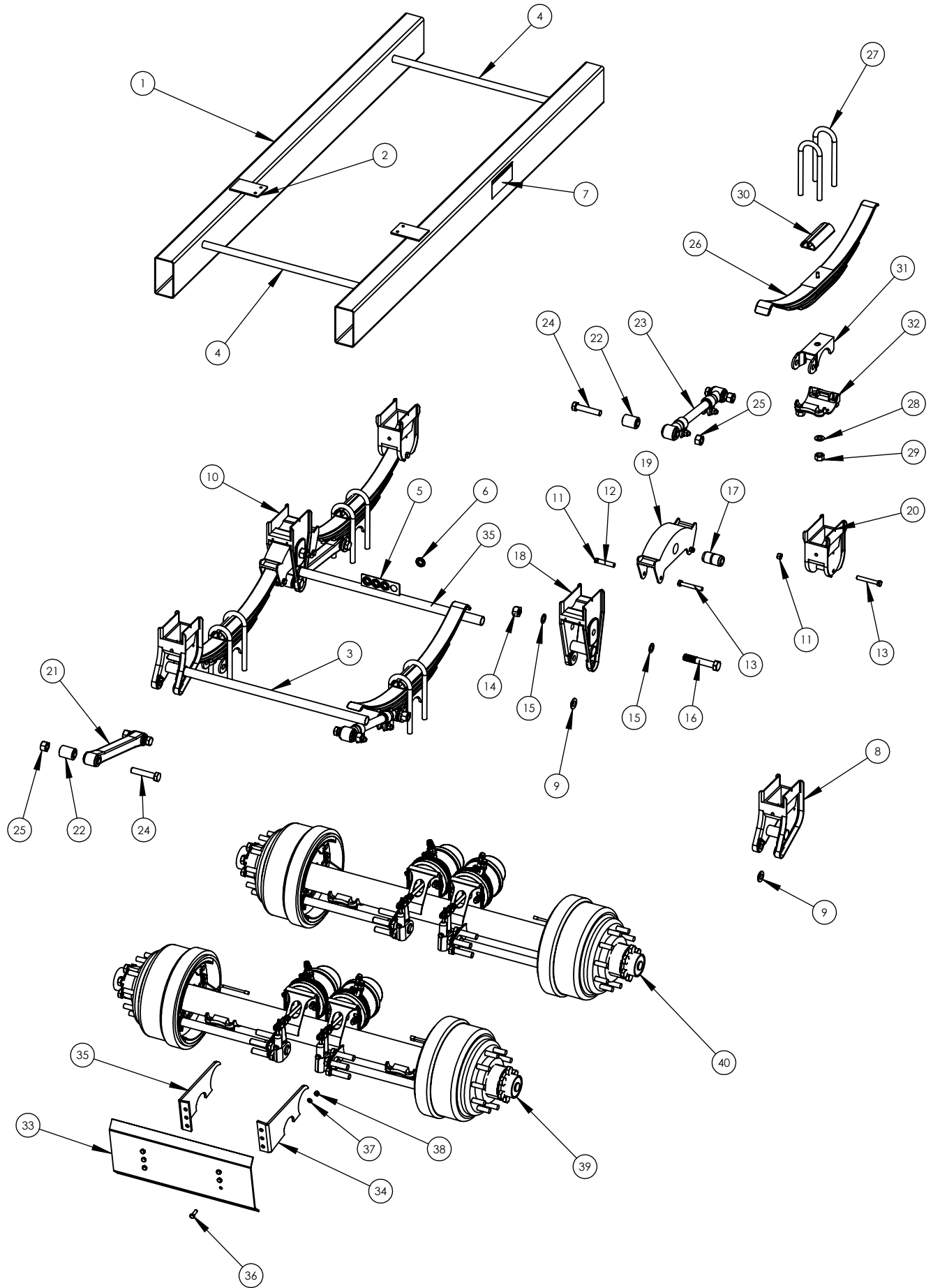
Remember this parts book is for a "standard" trailer, if your trailer is not standard dimensions some parts may not interchange with those listed here, contact the factory if you are unsure.

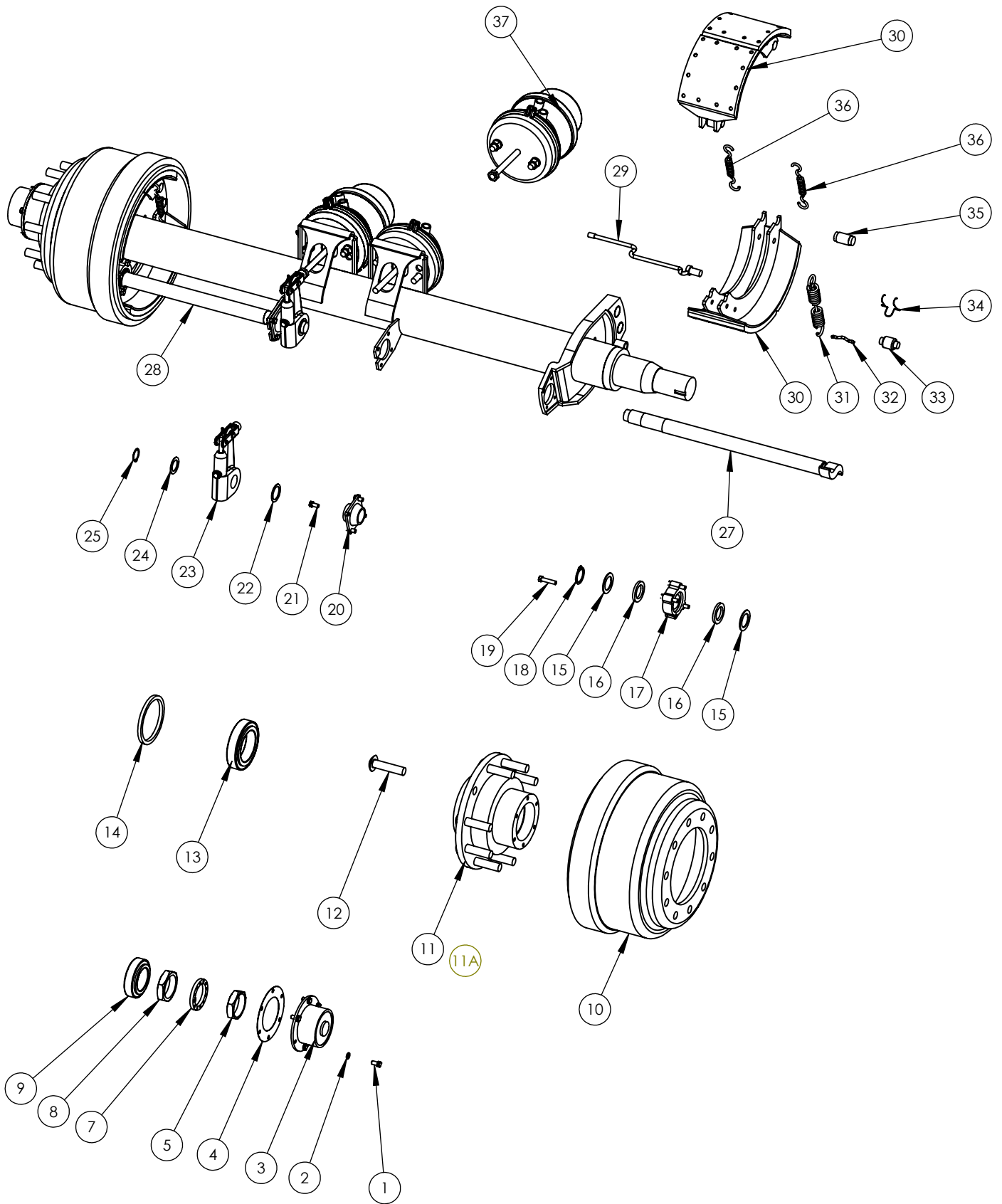
We will be working on, adding to, and improving this and other parts books in the near future. We welcome any comments or suggestions on how we may make them work better for you. Thanks again!!!

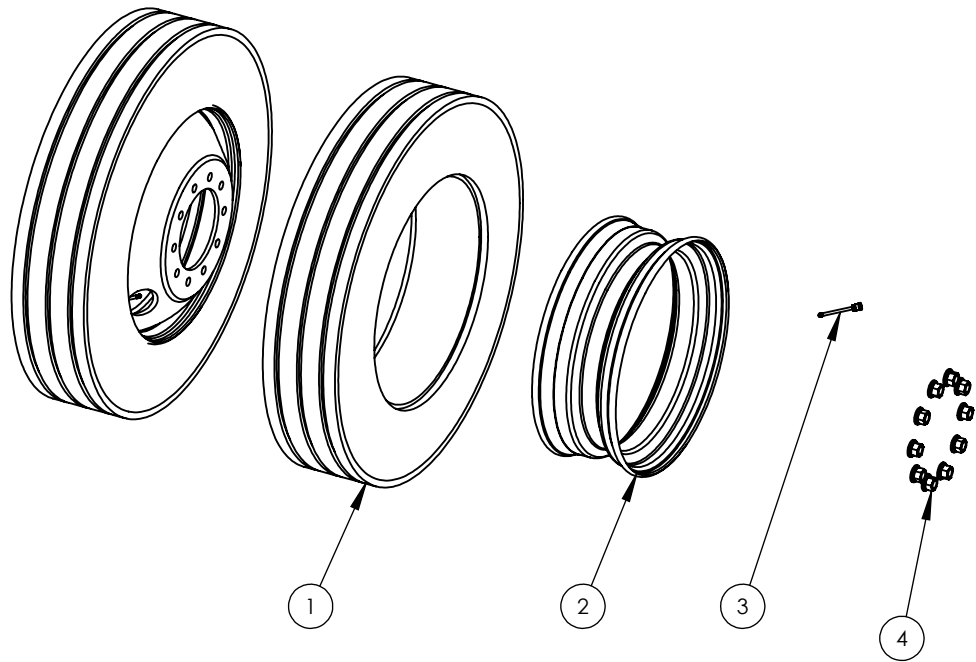
TABLE OF CONTENTS



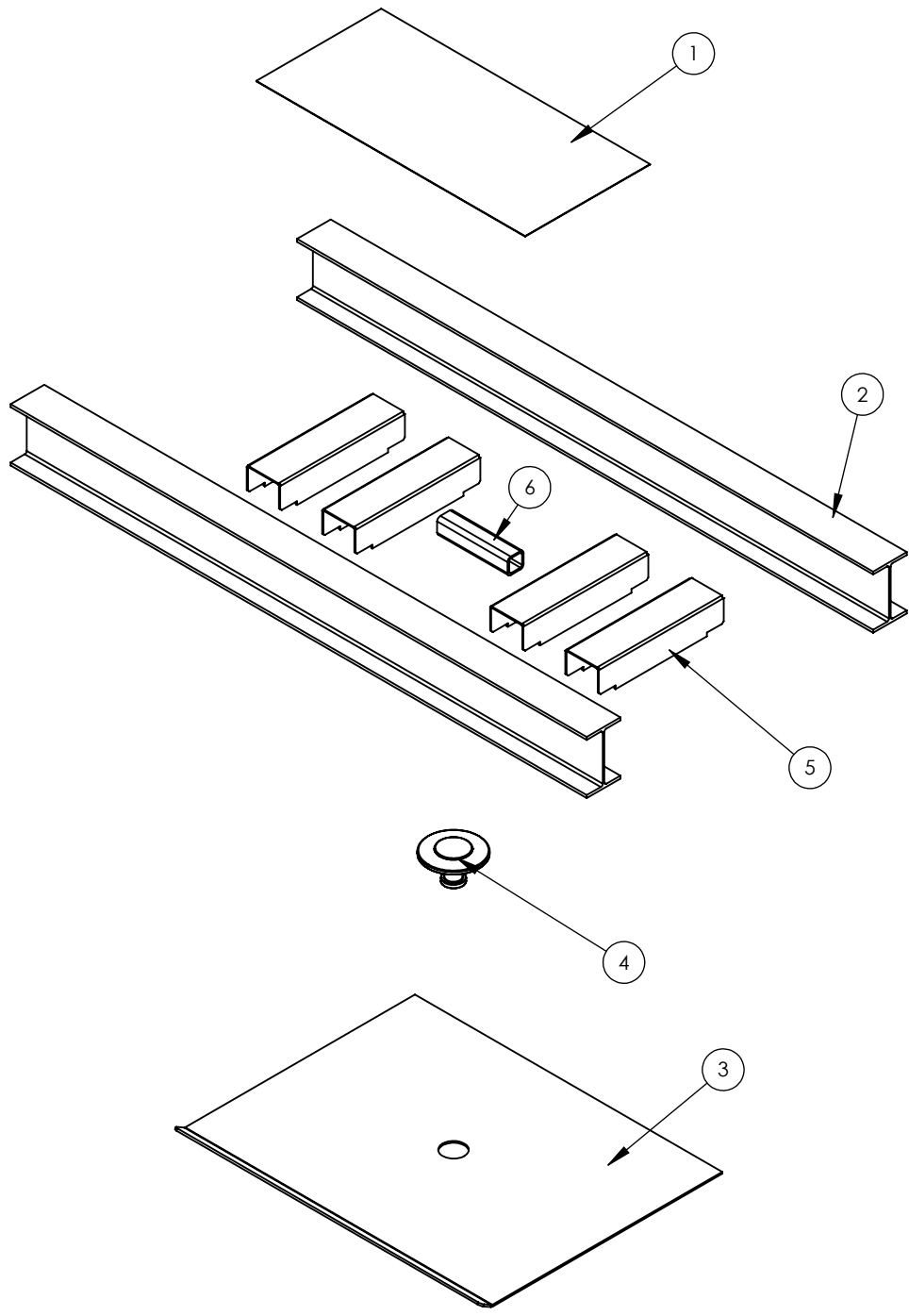
DESCRIPTION	PAGE
SUSPENSION	2-3
AXLE	4-5
WHEELS	6
FIFTH WHEEL	7
SIDE	8
CROSS MEMBERS AND SLOPE SHEETS	9
REAR END	10
FRONT END	11
HOPPERS	12-13
WIRING	14-15
PLUMBING	16-17
TARP HEADERS AND BOWS	18
LANDING GEAR	19
DECALS	20
MUDFLAPS	21



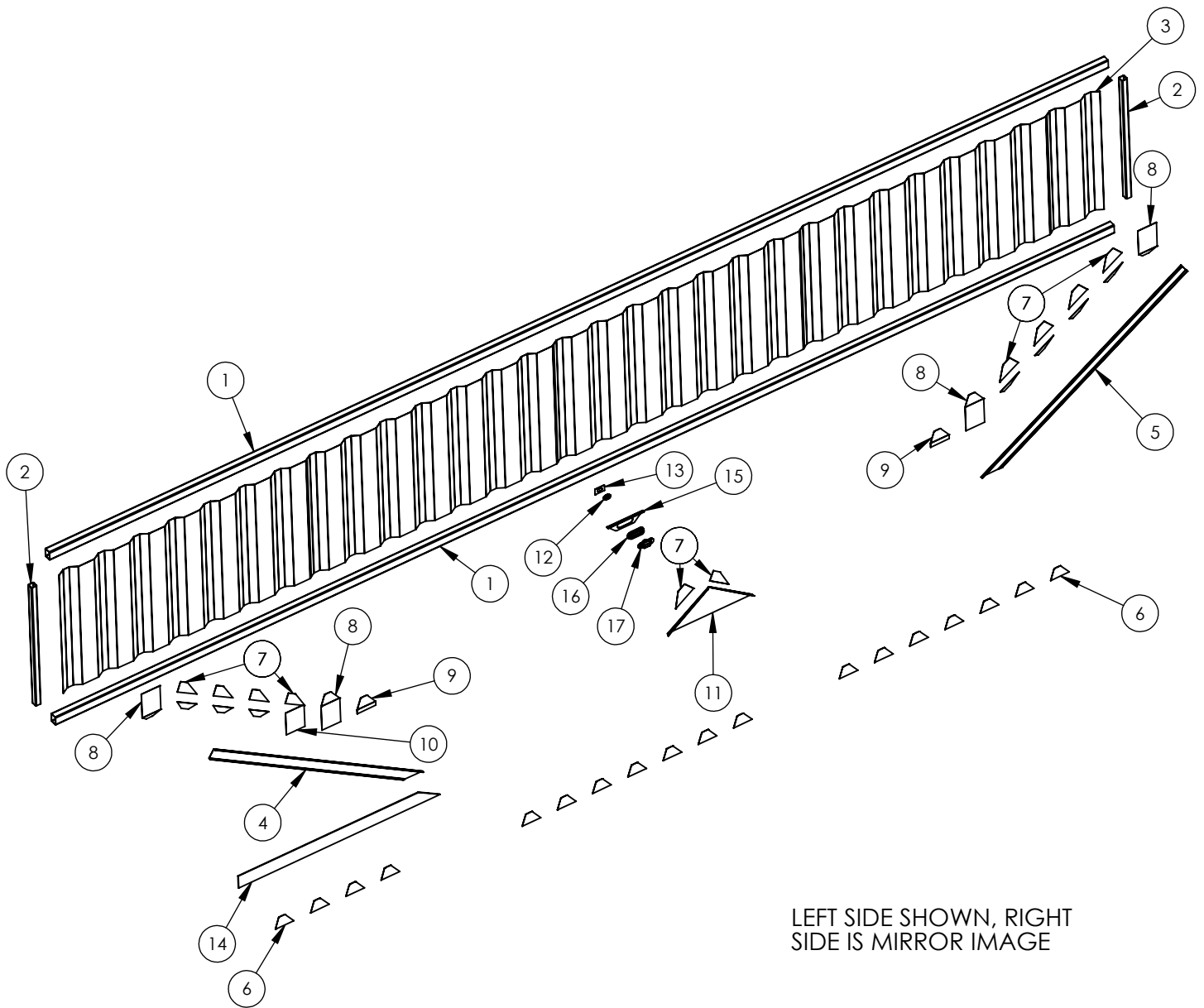




ITEM #	DESCRIPTION	QTY PER TRAILER
1	TIRE	8
2	RIM	8
3	VALVE STEM	8
4	LUGNUT	40

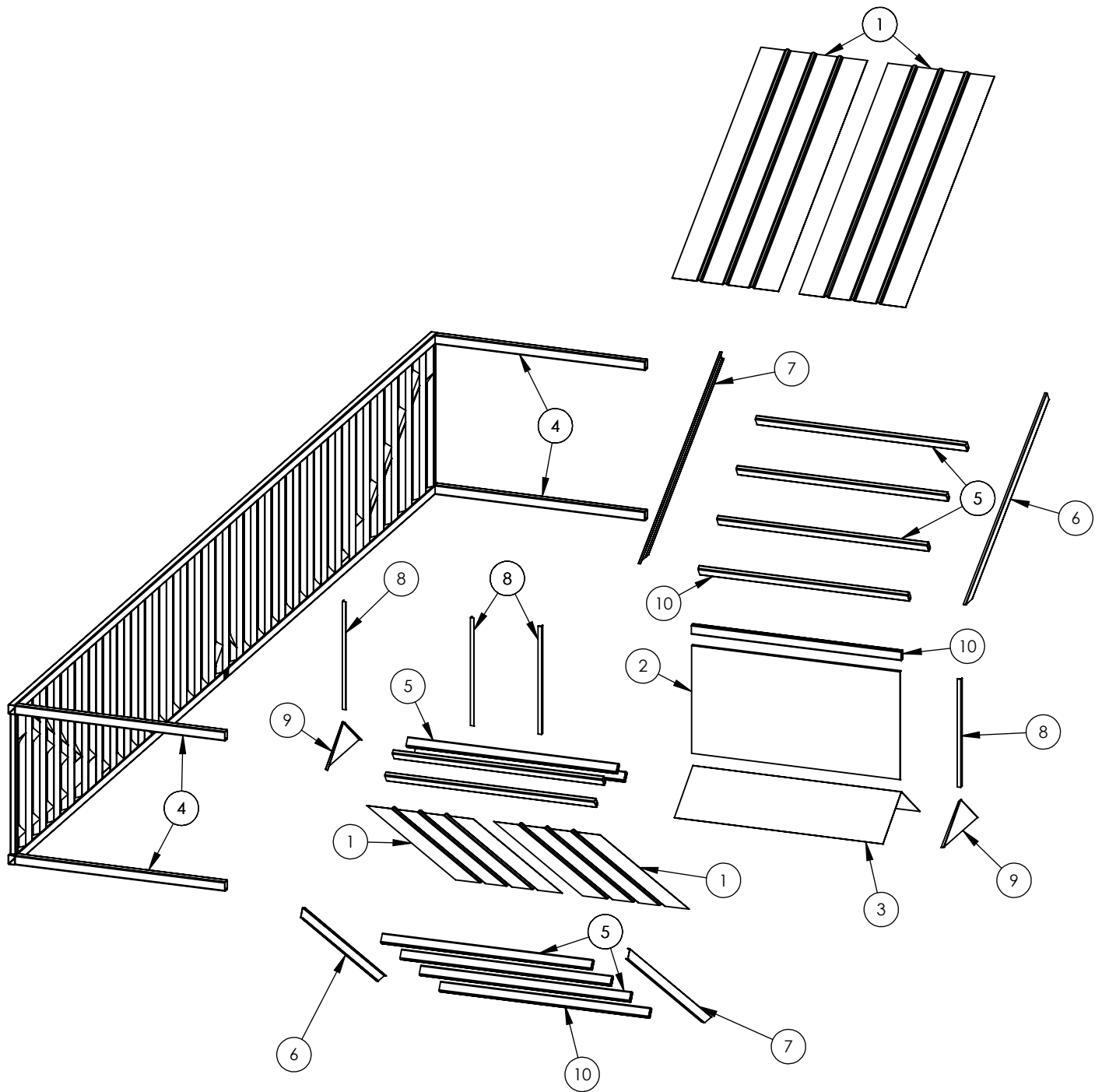


ITEM#	DESCRIPTION	QTY
1	FIFTH WHEEL COVER PLATE	2
2	FIFTH WHEEL I-BEAM	2
3	FIFTH WHEEL PLATE	1
4	KINGPIN	1
5	FIFTH WHEEL TUBE	5
6	FIFTH WHEEL KINGPIN TUBE	1

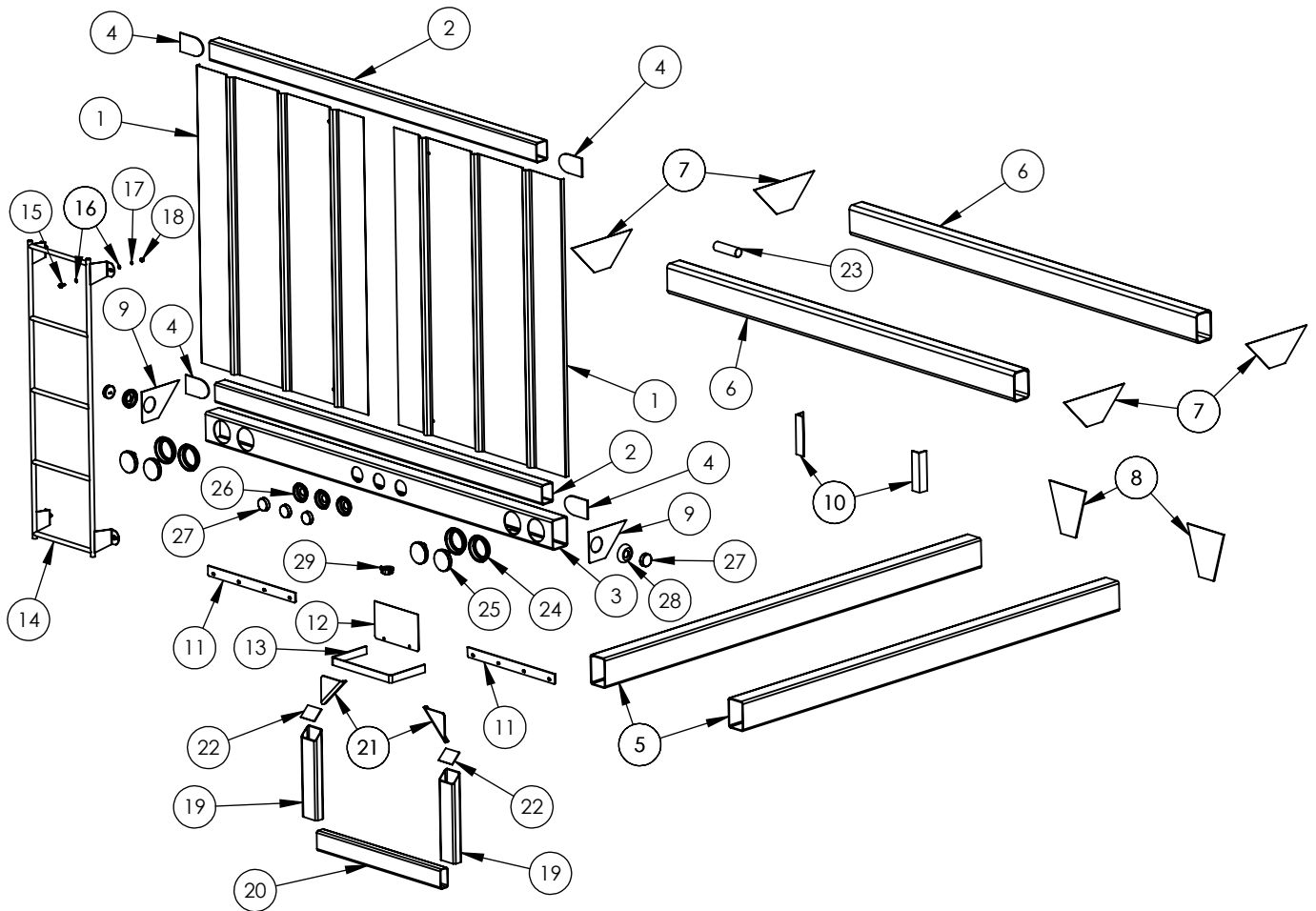


LEFT SIDE SHOWN, RIGHT
SIDE IS MIRROR IMAGE

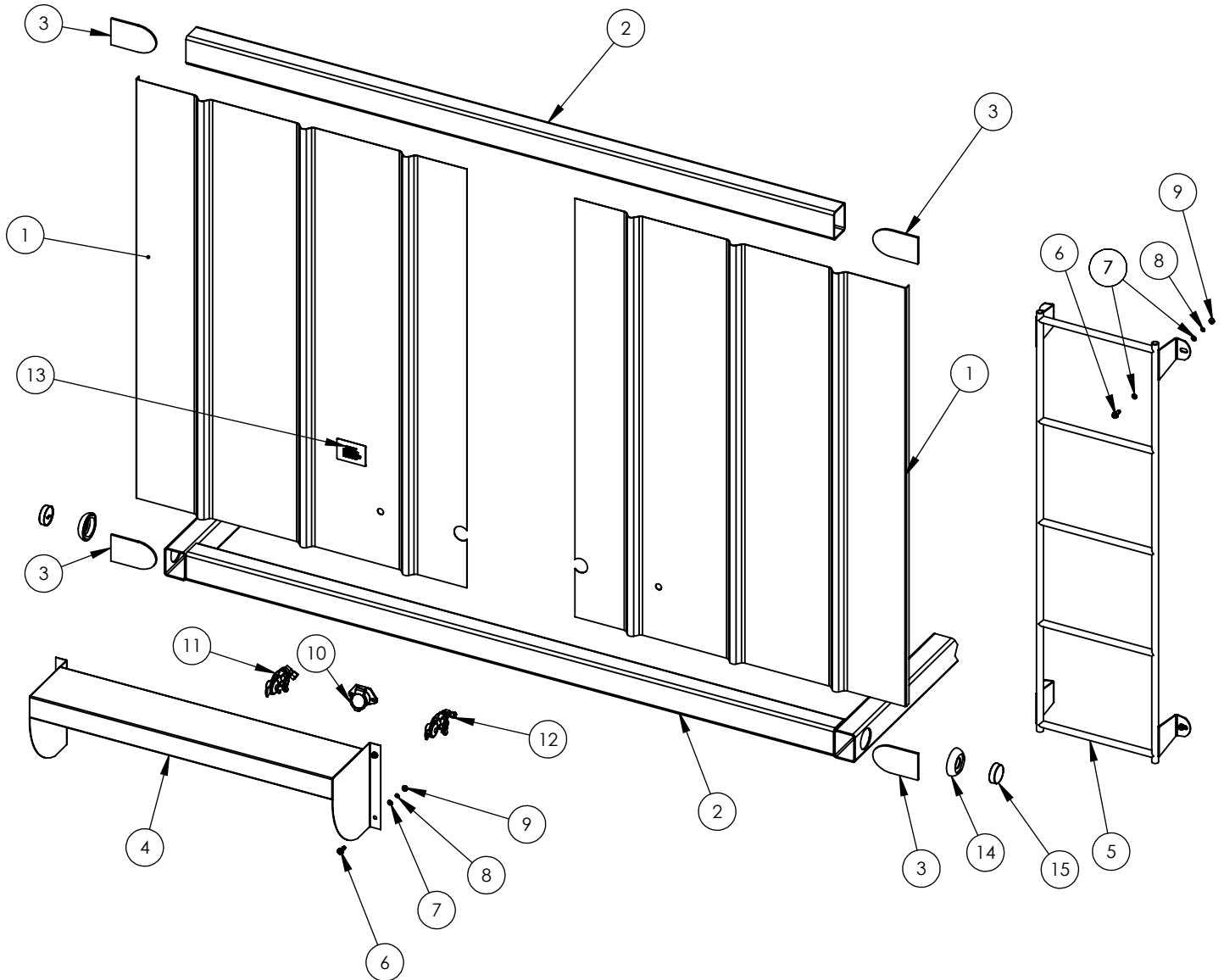
ITEM#	DESCRIPTION	QTY PER SIDE
1	FRAME RAIL	2
2	ENDPOSTS	2
3	CORRUGATION SHEET	1
3A	CORRUGATION SHEET 60" X 112" (5' X 9'-4") PATCH PANEL	
4	SLOPE SHEET CHANNEL, RIGHT	1
5	SLOPE SHEET CHANNEL, LEFT	1
6	SMALL CORRUGATION GUSSET	18
7	CHANNEL GUSSET	17
8	LARGE CORRUGATION GUSSET	4
9	SHORT CORRUGATION GUSSET	2
10	CORRUGATION CAP	1
11	A-FRAME	1
12	1.5" OVAL GROMMET	1
13	AIR LINE AND WIRE LOOM	1
14	FIFTH WHEEL SIDE PLATE	1
15	MIDDLE SIDE LIGHT BRACKET	1
16	MIDDLE SIDE LIGHT OVAL GROMMET	1
17	MIDDLE SIDE LIGHT	1



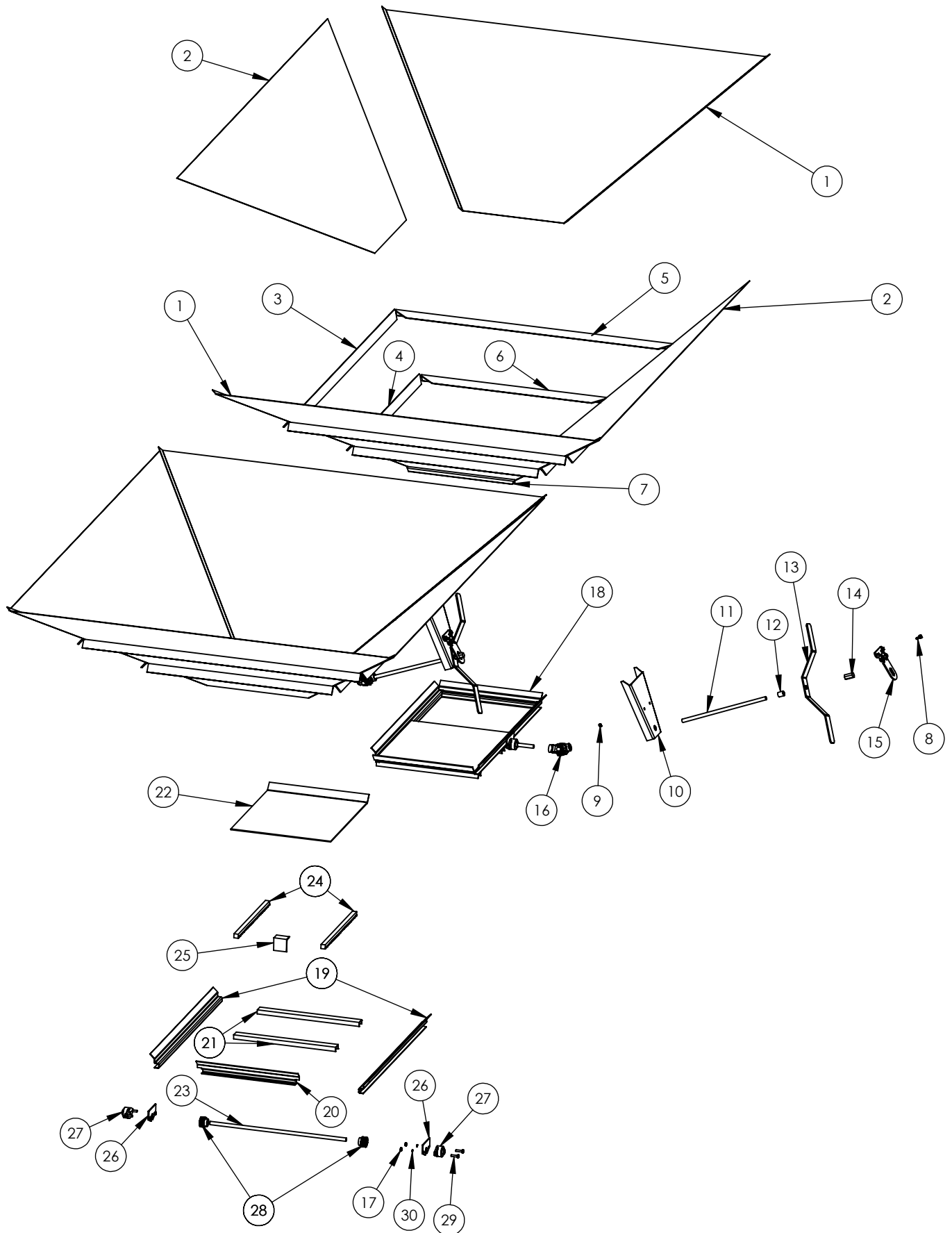
ITEM#	DESCRIPTION	QTY
1	10' SLOPE SHEET	4
2	DIVIDER SHEET	1
3	A-FRAME SHEET	1
4	FRAME CROSS TUBE	4
5	SLOPE SHEET CROSS TUBE	10
6	SLOPE SHEET CHANNEL, LEFT	2
7	SLOPE SHEET CHANNEL, RIGHT	2
8	DIVIDER SHEET ANGLE IRON	4
9	A-FRAME	2
10	DIVIDER SHEET CROSS TUBE	3



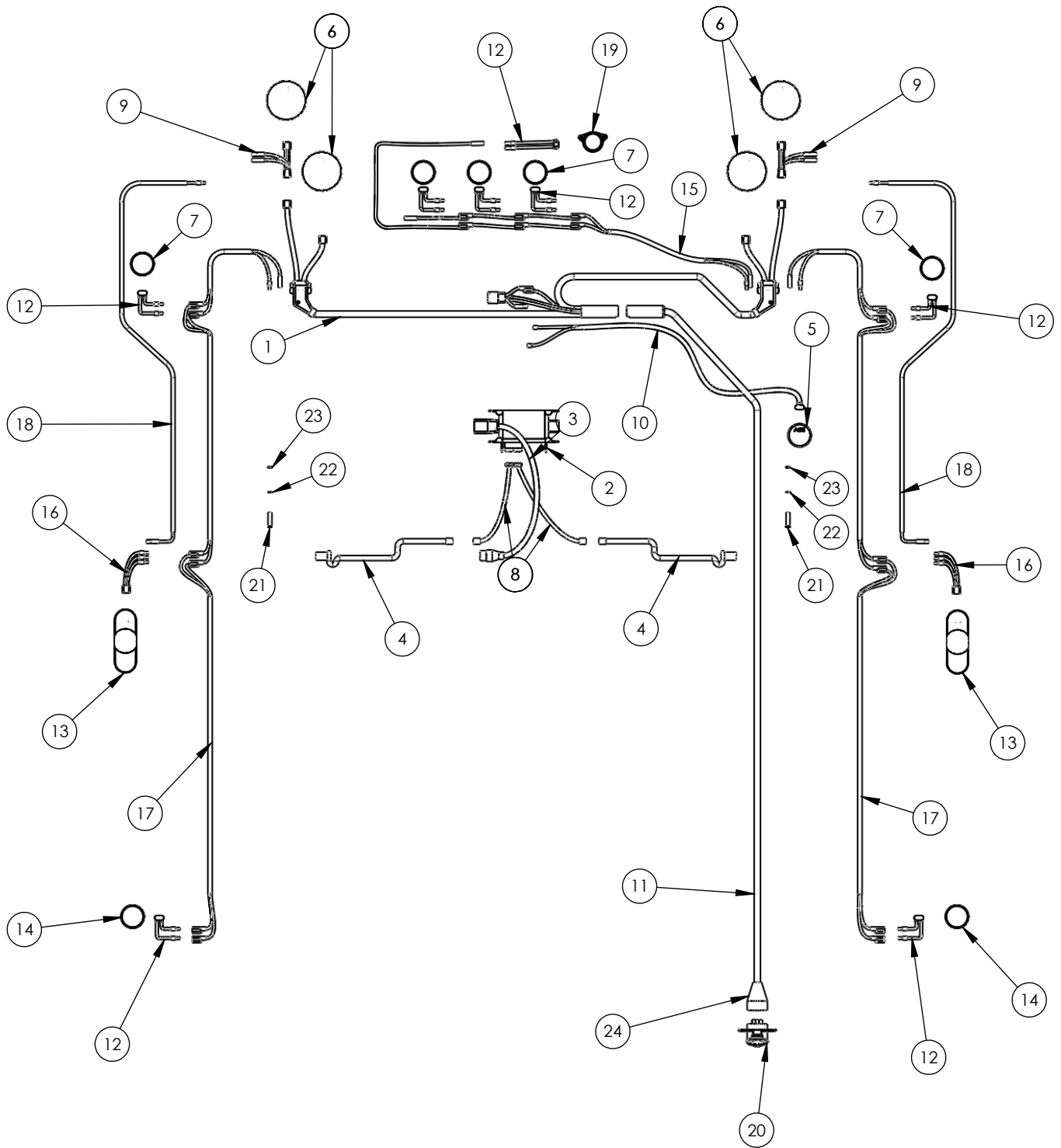
ITEM#	DESCRIPTION	QTY
1	FRONT AND REAR SHEET	2
2	FRAME CROSS TUBE	2
3	LIGHT TUBE	1
4	FRAME TUBE END CAP	4
5	SUSPENSION FRAME TUBE	2
6	SUSPENSION CROSS TUBE	2
7	SUSPENSION CROSS OVER TUBE CAP	4
8	SUSPENSION FRAME TUBE FRONT PLATE	2
9	LIGHT TUBE CAP AND LIGHT BRACKET	2
10	SUSPENSION CROSS TUBE BRACE	2
11	MUDFLAP BRACKET	2
12	LICENSE PLATE BRACKET	1
13	REAR STEP	1
14	LADDER	1
15	BOLT, 3/8-16 UNC X 1", WASHER HEAD, SELF TAPPING	4
16	FLAT WASHER, 3/8"	8
17	LOCK WASHER, 3/8"	4
18	NUT, 3/8-16 UNC	4
19	BUMPER TUBE, VERTICAL	2
20	BUMPER TUBE, HORIZONTAL	1
21	BUMPER CORNER GUSSET	2
22	BUMPER TUBE CAP	2
23	WIRE TUBE	1
24	TAIL LIGHT GROMMET	4
25	TAIL LIGHT	4
26	FLUSH GROMMET, CLEARANCE LIGHT	3
27	RED CLEARANCE LIGHT	5
28	45 DEGREE BEVEL GROMMET, CLEARANCE LIGHT	2
29	LISCENSE LIGHT	1



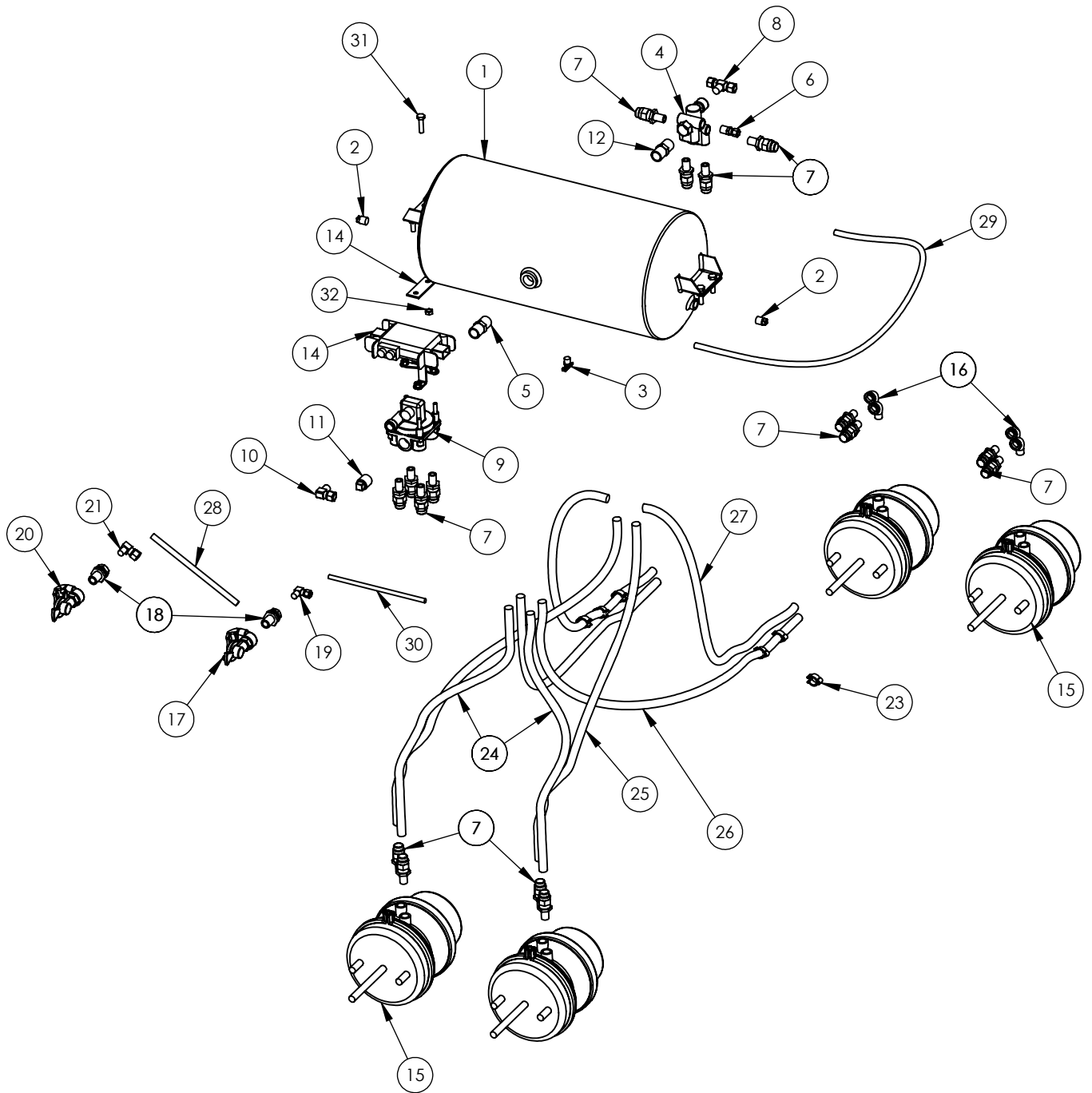
ITEM#	DESCRIPTION	QTY
1	FRONT AND REAR SHEET	2
2	FRAME CROSS TUBE	2
3	FRAME TUBE END CAP	4
4	CATWALK STEP	1
5	LADDER	1
6	BOLT, 3/8-16 UNC X 1", WASHER HEAD, SELF TAPPING	8
7	FLAT WASHER, 3/8"	12
8	LOCK WASHER, 3/8"	8
9	NUT, 3/8-16 UNC	8
10	7 PIN RECEPTACLE	1
11	SERVICE GLADHAND COUPLER, SEE PAGE 16-17	1
12	EMERGENCY GLADHAND COUPLER, SEE PAGE 16-17	1
13	AIRBRAKE DECAL	1
14	45 DEGREE BEVEL GROMMET, CLEARANCE LIGHT	2
15	AMBER CLEARANCE LIGHT	2



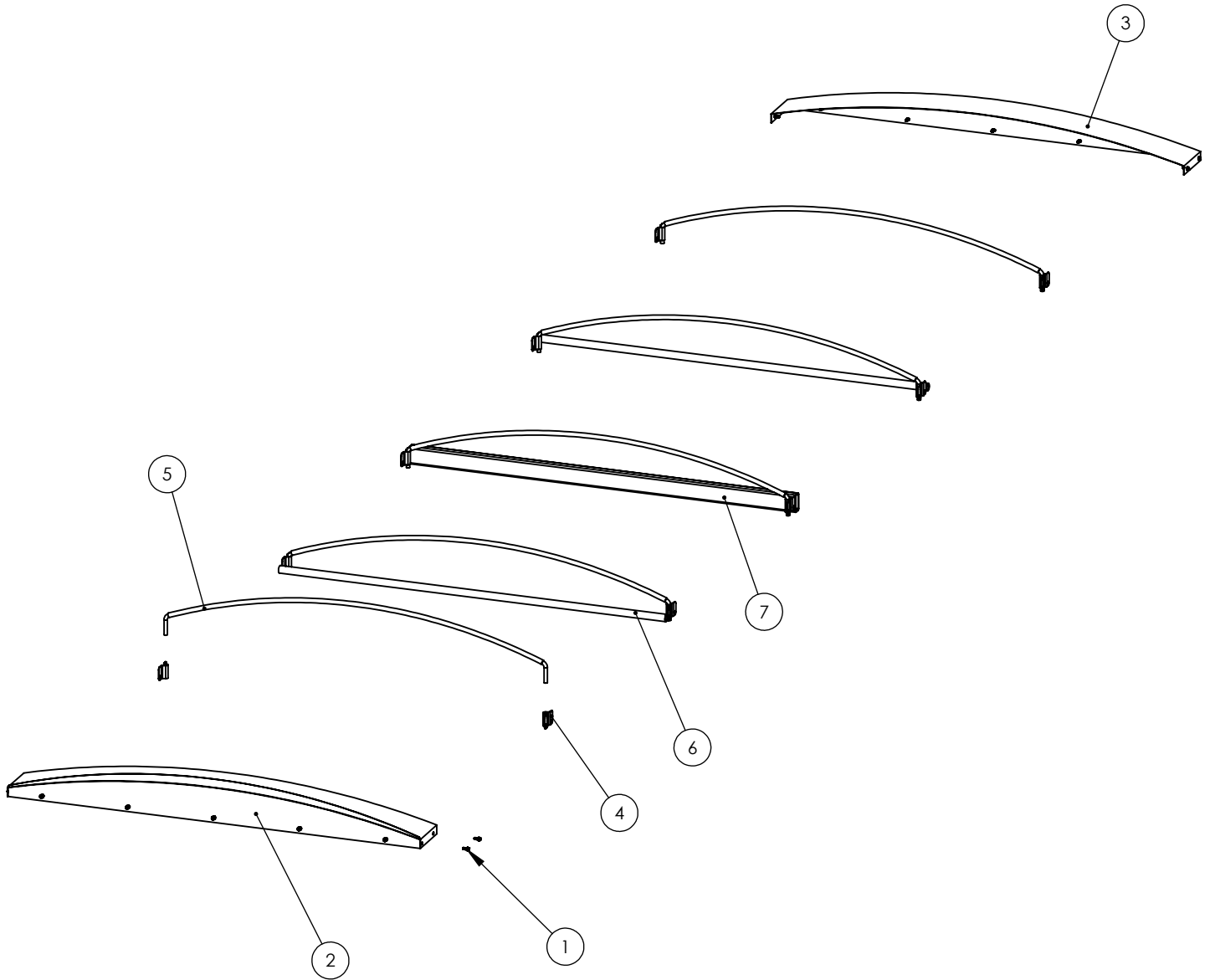
ITEM#	DESCRIPTION	QTY PER HOPPER
1	HOPPER FORE/AFT SHEET	2
2	HOPPER SIDE SHEET	2
3	HOPPER SIDE RIB, UPPER	2
4	HOPPER SIDE RIB, LOWER	2
5	HOPPER FORE/AFT RIB, UPPER	2
6	HOPPER FORE/AFT RIB, LOWER	2
7	HOPPER DOOR SCRAPER	1
8	BOLT, 3/8-16 UNC X 1", WASHER HEAD, SELF TAPPING	2
9	NUT, 3/8-16 UNC	2
10	HOPPER DOOR CRANK HANDLE A-FRAME MOUNT	1
11	HOPPER DOOR HANDLE SHAFT	1
12	HOPPER DOOR HANDLE SHAFT BEARING	1
13	HOPPER DOOR CRANK HANDLE	1
14	HOPPER DOOR CRANK HANDLE HEX SHAFT	1
15	HOPPER DOOR LOCK	1
16	UNIVERSAL JOINT	1
17	NUT, 7/16-14 UNC	4
18	HOPPER DOOR AND FRAME ASSEMBLY, FRONT, ITEMS 19-31	
19	HOPPER DOOR TRACK	2
20	HOPPER DOOR END TRACK	1
21	HOPPER DOOR CROSS CHANNEL	2
22	HOPPER DOOR PLATE	1
23	HOPPER DOOR SHAFT	1
24	HOPPER DOOR RACK GEAR	2
25	HOPPER DOOR STOP	1
26	HOPPER DOOR BEARING MOUNT	2
27	FLANGE BEARING	2
28	SPUR GEAR	2
29	BOLT, 7/16-14 UNC X 1.5"	4
30	LOCK WASHER, 7/16"	4



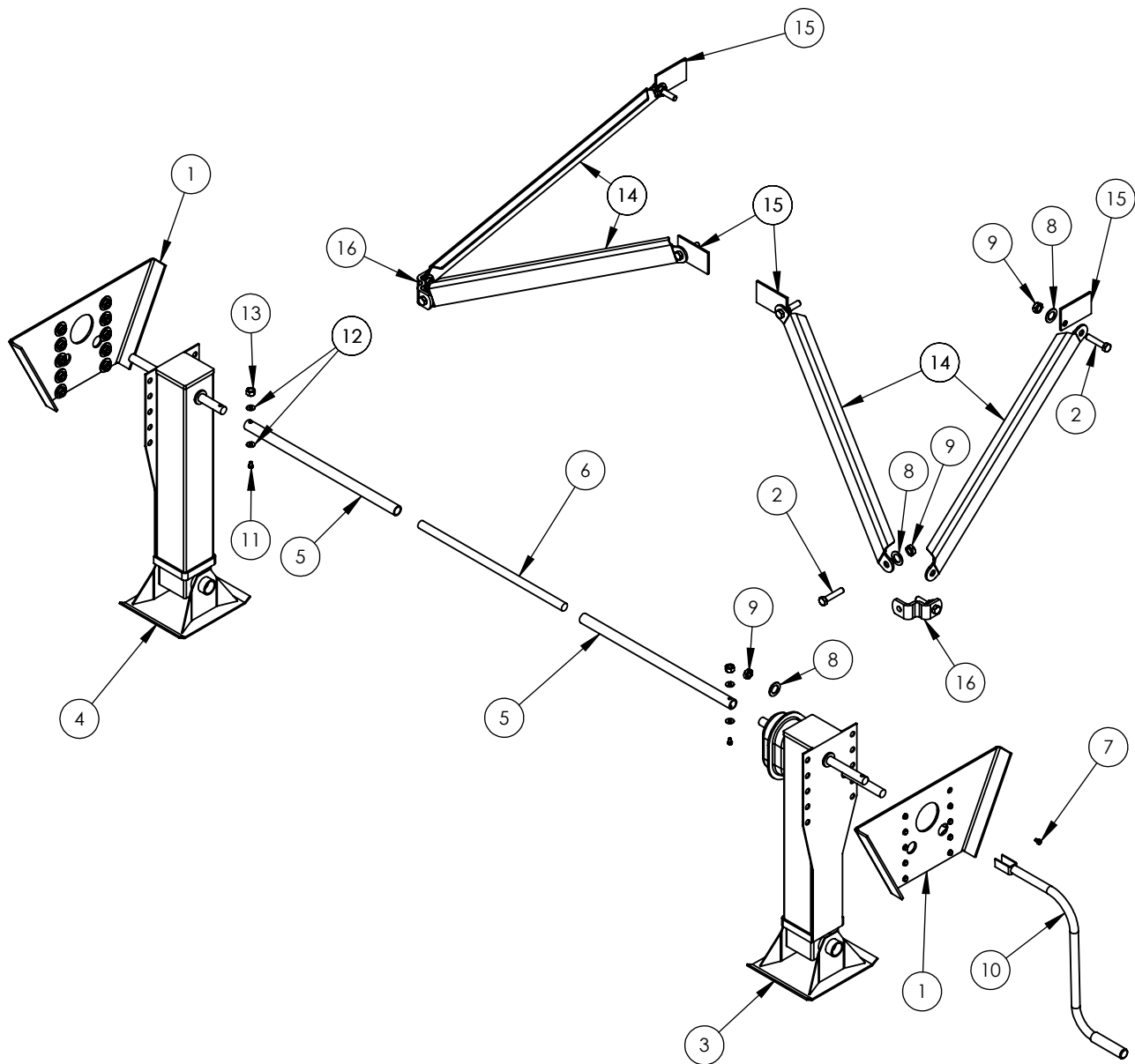
ITEM#	DESCRIPTION	QTY
1	REAR WIRE HARNESS, (SOLD WITH ITEM 11)	1
2	ECU/VALVE ASSEMBLY	1
3	ECU WIRE	1
4	ABS SENSOR	2
5	ABS LIGHT	1
6	TAIL LIGHT	4
7	RED CLEARANCE LIGHT	5
8	ABS SENSOR WIRE	2
9	SIGNAL LIGHT PLUG	2
10	ABS LIGHT WIRE	1
11	7 WIRE HARNESS	1
12	2 WIRE PLUG	8
13	MIDDLE SIDE CLEARANCE/SIGNAL LIGHT	2
14	AMBER CLEARANCE LIGHT	2
15	REAR CLEARANCE LIGHT WIRE	1
16	3 WIRE PLUG	2
17	SIDE CLEARANCE LIGHT WIRE	2
18	MIDDLE SIDE SIGNAL LIGHT WIRE	2
19	LICENSE LIGHT	1
20	7 PIN RECEPTACLE	1
21	BOLT, 1/4-20 UNC X 1.5"	2
22	LOCKWASHER, 1/4"	2
23	NUT, 1/4-20 UNC	2
24	7 PIN RECEPTACLE BOOT	1



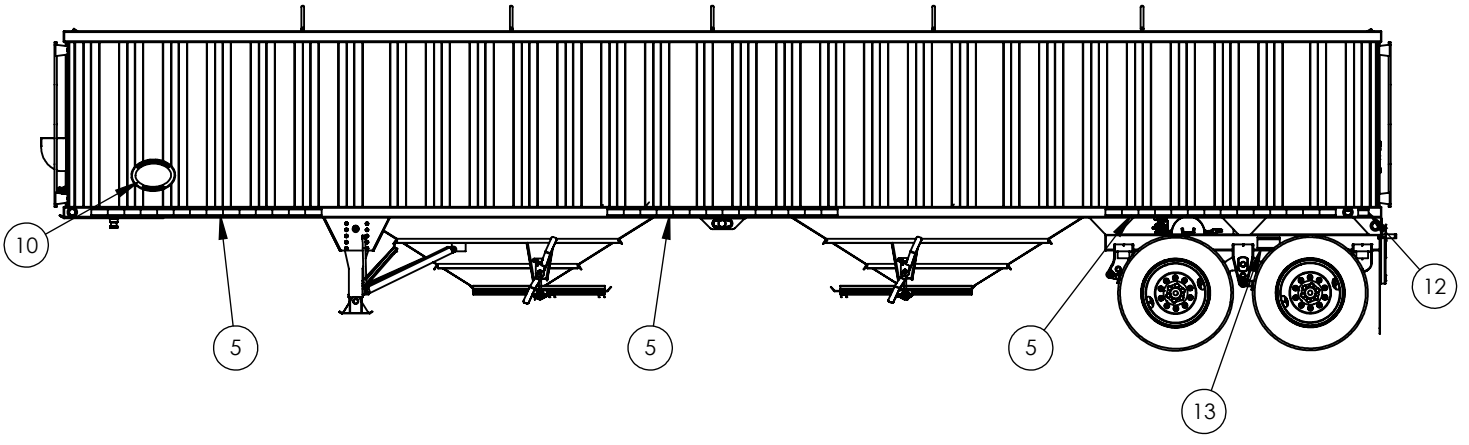
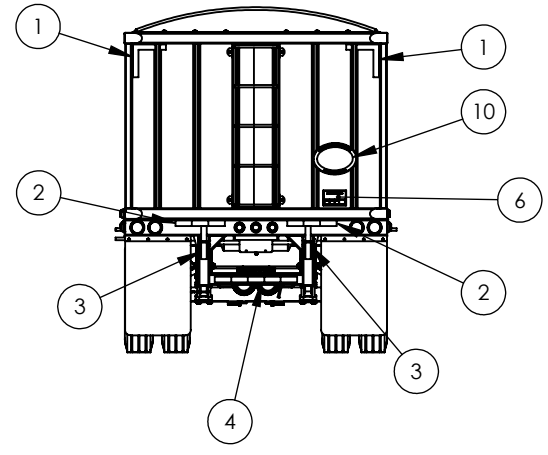
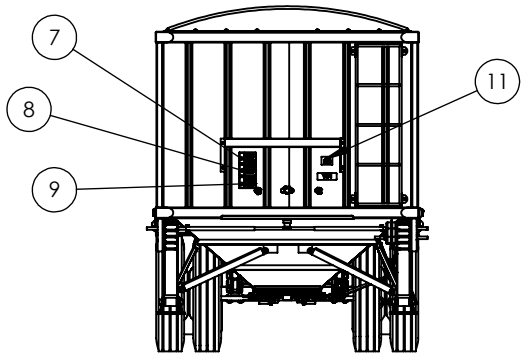
ITEM#	DESCRIPTION	QTY
1	BRAKE AIR TANK	1
2	PIPE PLUG, 3/8" NPT	2
3	DRAIN VALVE, 1/4" NPT	1
4	EMERGENCY VALVE	1
5	NIPPLE, 3/4" NPT	1
6	COMPRESSION FITTING, 3/8" TUBING - 3/8" NPT	1
7	3/8" AIRLINE FITTING, 3/8" NPT	16
8	TEE COMPRESSION FITTING, 1/2" TUBING (2X) - 3/8" NPT	1
9	BRAKE SERVICE VALVE	1
10	RIGHT ANGLE COMPRESSION FITTING, 1/2" TUBING - 3/8" NPT	1
11	PIPE PLUG, 3/4" NPT	1
12	NIPPLE, 3/4" NPT - 1/2" NPT	1
13	ECU, VALVE ASSEMBLY	1
14	AIR TANK MOUNTING PAD	2
15	BRAKE AIR CHAMBER	4
16	STREET EL, 3/8" NPT	4
17	GLADHAND COUPLER, EMERGENCY	1
18	BULK HEAD CONNECTOR WITH WASHER AND NUT	2
19	RIGHT ANGLE COMPRESSION FITTING, 3/8" TUBING - 1/4" NPT	1
20	GLADHAND COUPLER, SERVICE	1
21	RIGHT ANGLE COMPRESSION FITTING, 1/2" TUBING - 1/4" NPT	1
22	AIRLINE CLIP	14
23	AIRLINE TO WIRE CLIP	6
24	SERVICE BRAKE AIRLINE, FRONT AXLE	2
25	EMERGENCY BRAKE AIRLINE, FRONT AXLE	2
26	SERVICE BRAKE AIRLINE, REAR AXLE	2
27	EMERGENCY BRAKE AIRLINE, REAR AXLE	2
28	1/2" AIRLINE, SERVICE SUPPLY LINE	1
29	1/2" AIRLINE, SERVICE VALVE TO EMERGENCY VALVE	1
30	3/8" AIRLINE, EMERGENCY SUPPLY LINE	1
31	BOLT, 3/8-16 UNC X 1.5"	4
32	NUT, 3/8-16 UNC	4



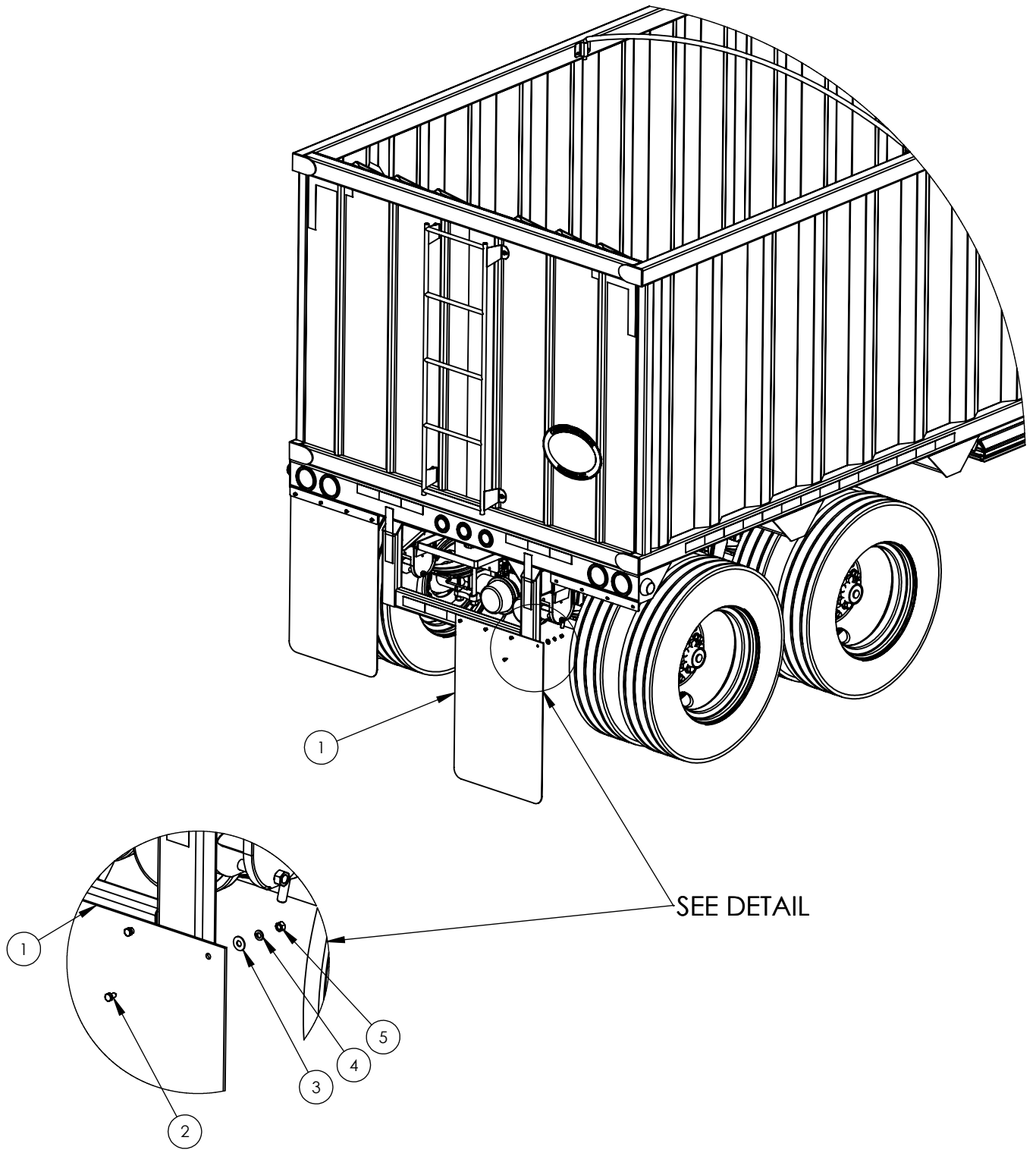
ITEM#	DESCRIPTION	QTY
1	BOLT, 3/6-16 UNC 1" SELF TAPPER	18
2	TARP SYSTEM FRONT HEADER ASSEMBLY	1
3	TARP SYSTEM REAR HEADER ASSEMBLY	1
4	TARP BOW BRACKET	10
5	REMOVABLE TARP BOW	5
6	TARP BOW ROUND TUBE	2
7	TARP BOW RECTANGULAR TUBE	1



ITEM#	DESCRIPTION	QTY
1	LANDING GEAR BRACKET	1
2	BOLT, 5/8-11 UNC X 2"	8
3	LANDING GEAR LEG, LEFT	1
4	LANDING GEAR LEG, RIGHT	1
5	LANDING GEAR SHAFT (SOLD WITH ITEMS 3 AND 4)	2
6	LANDING GEAR SPLICE SHAFT	1
7	BOLT, 5/8-11 UNC X 1.5"	20
8	LOCK WASHER, 5/8"	28
9	NUT, 5/8-11 UNC	28
10	LANDING GEAR CRANK HANDLE	1
11	BOLT, 3/8-16 UNC X 2"	2
12	FLAT WASHER, 3/8"	4
13	LOCK NUT, 3/8-16 UNC	2
14	LANDING GEAR ANGLE BRACE	4
15	LANDING GEAR BRACE TAB	4
16	W BRACKET (SOLD WITH ITEMS 3 AND 4)	2



ITEM#	DESCRIPTION	QTY
1	REFLECTIVE CONSPICUITY TAPE, WHITE ONLY, 8" RIGHT ANGLE, REAR	2
2	REFLECTIVE CONSPICUITY TAPE, RED AND WHITE, 18", REAR LIGHT TUBE	2
3	REFLECTIVE CONSPICUITY TAPE, RED AND WHITE, 12", BUMPER	2
4	REFLECTIVE CONSPICUITY TAPE, RED AND WHITE, 30", BUMPER	1
5	REFLECTIVE CONSPICUITY TAPE, RED AND WHITE, 84", BOTH SIDES	6
6	TARP SYSTEM OPERATING INSTRUCTIONS	1
7	DANGER: CAGE BRAKE CHAMBERS	1
8	WARNING: USE MATCHED COMPONENTS	1
9	WARNING: RE-TORQUE LUG NUTS	1
10	CONSTRUCTION TRAILER "HARVEST MASTER" DECAL, BOTH SIDES AND REAR	3
11	AIR BRAKE ADDITIVES CAUTION DECAL, FRONT	1
12	ABS NOTICE DECAL, SHOWN SIDE ONLY	1
13	HUTCH WARNING DECAL, SHOWN SIDE ONLY	1
14	HARVESTMASTER LABEL KIT (ITEMS: 7-11)	1



ITEM#	DESCRIPTION	QTY
1	MUDFLAP	2
2	BOLT, 3/8-16 UNC X 1.5"	8
3	FLAT WASHER, 3/8"	8
4	LOCK WASHER, 3/8"	8
5	NUT, 3/8-16 UNC	8