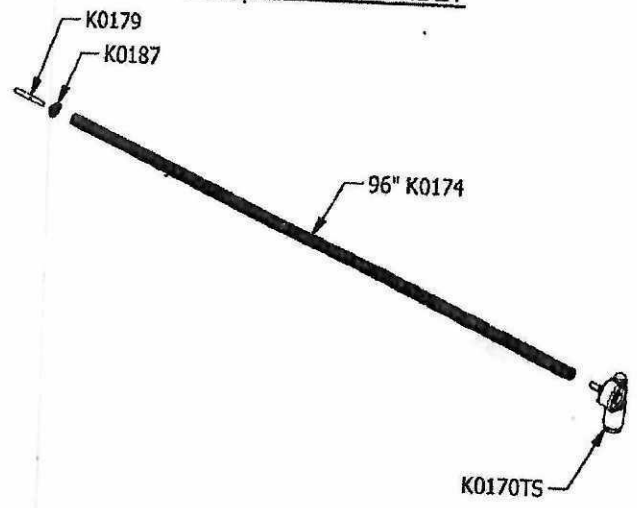


CTS CONSIGNMENT KIT

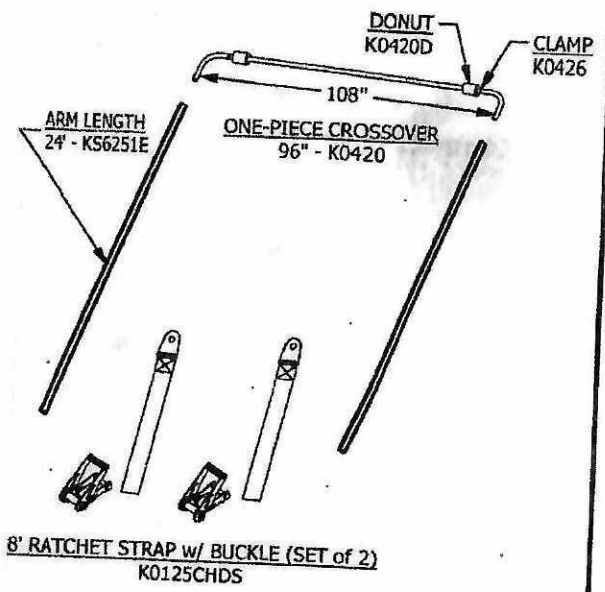
K624DDE-CTS

W/O

**TARP ROLLER
ELECTRIC ASSEMBLY**

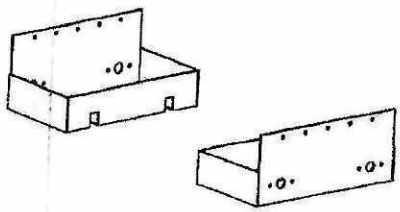


ARM AND CROSSOVER ASSEMBLY

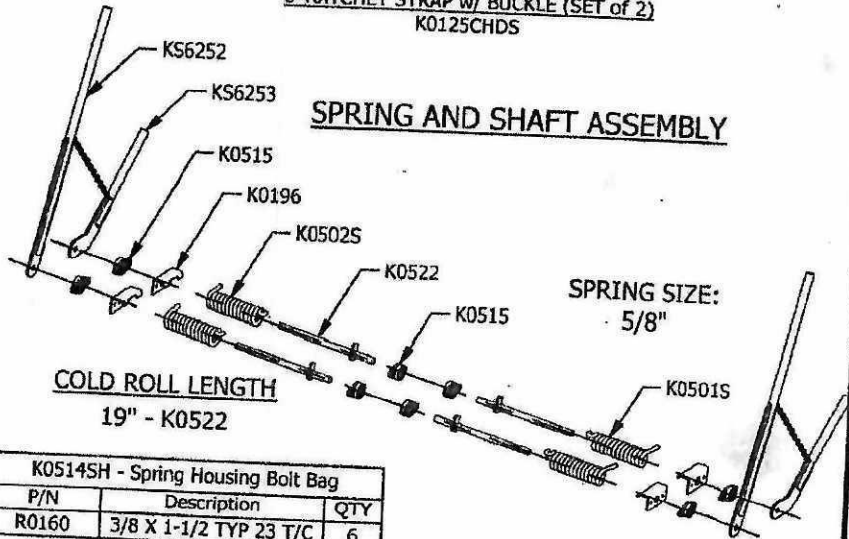


SPRING HOUSING

LEFT - K0509H
RIGHT - K0508H



SPRING AND SHAFT ASSEMBLY



**COLD ROLL LENGTH
19" - K0522**

SPRING SIZE:
5/8"

P/N	Description	QTY
K0521DBS-CTS	CONV. COMP BAG, TRL OVER 38'	
K0113	5/16 X 3/4 HHCS, Gr. 8	3
K0145	RING TERMINAL CONNECTOR	2
K0151	RUBBER COATED CLAMP 3/4"	15
K0146CTS	WIRE 6Ga, 20FT	1
K0146CTS50	WIRE 6Ga, 50FT	1
K014615	WIRE 14Ga, PER FOOT	15FT
K0164	RUBBER GROMMET	4
K0176Q	ROCKER SWITCH ASSY	1
K0176RSB	MNT BRKT. FOR ROCKER SWITCH	1
K0179	STUB SHAFT	1
K0187	BEARING ABF-013 3/4"	1
K0200	WIRE TIES 8" BLACK	20
K0212	3/8 X 3/4 HHCS	5
K0353	3/8 FLAT WASHER	5
K0366	5/16 FLAT WASHER	11
K0365	5/16 X 7/8 HHCS	2
K0365B	5/16 LOCK WASHER	3
K0391	5/16 X 2-1/2 HHCS	2
K0396	5/16 LOCK NUT	4
R0150	1/4 X 1 TEK SCREW	17
WD-K0176Q	WIRING DIAGRAM FOR K0176	1

K0514SH - Spring Housing Bolt Bag		
P/N	Description	QTY
R0160	3/8 X 1-1/2 TYP 23 T/C	6

K0514D - Donut & Clamp Bag		
P/N	Description	QTY
K0424S	RUBBER DONUT (SET OF 2)	1
K0426	HOSE CLAMP	2

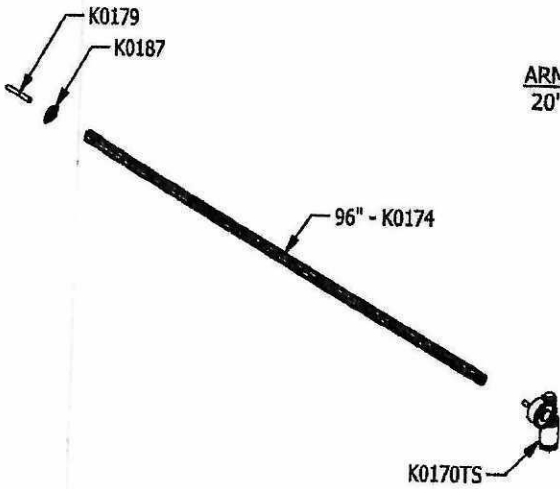
K0514B - Arm Bolt Bag		
P/N	Description	QTY
K0110	3/8 X 2-1/2 HHCS	4
K0353	3/8 FLAT WASHER	8
K0356	3/8 LOCK NUT	4

K0514C - UNDERBODY ROUND BOLT BAG (SET OF 2)		
P/N	Description	QTY
K0353	3/8 FLAT WASHER	16
K0356	3/8 LOCK NUT	8
K0386	3/8 X 1-1/2 HHCS	4
K0387	3/8 X 2 HHCS	4

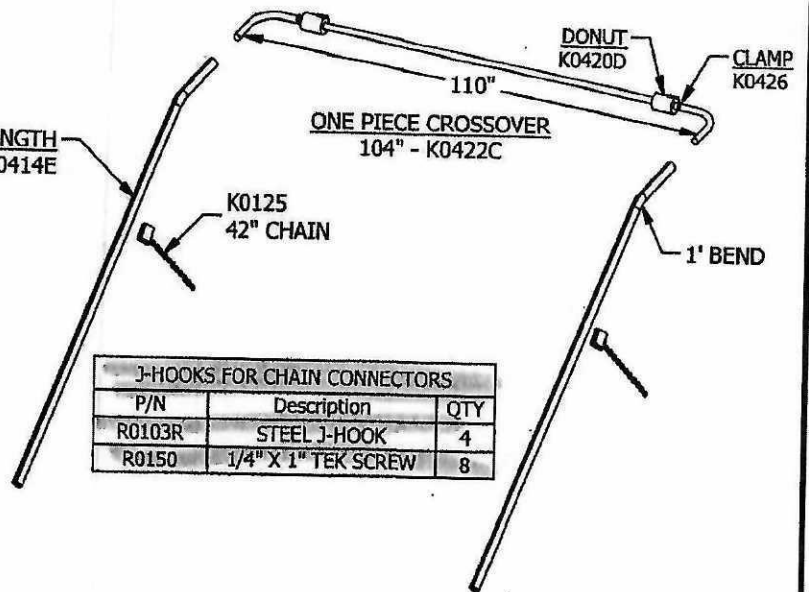
DISCONNECT
K0173 DISCONNECTS

PART #	KIT DESCRIPTION	PRICE	PART #	KIT DESCRIPTION	PRICE
K624DDE					

**TARP ROLLER
ELECTRIC ASSEMBLY**

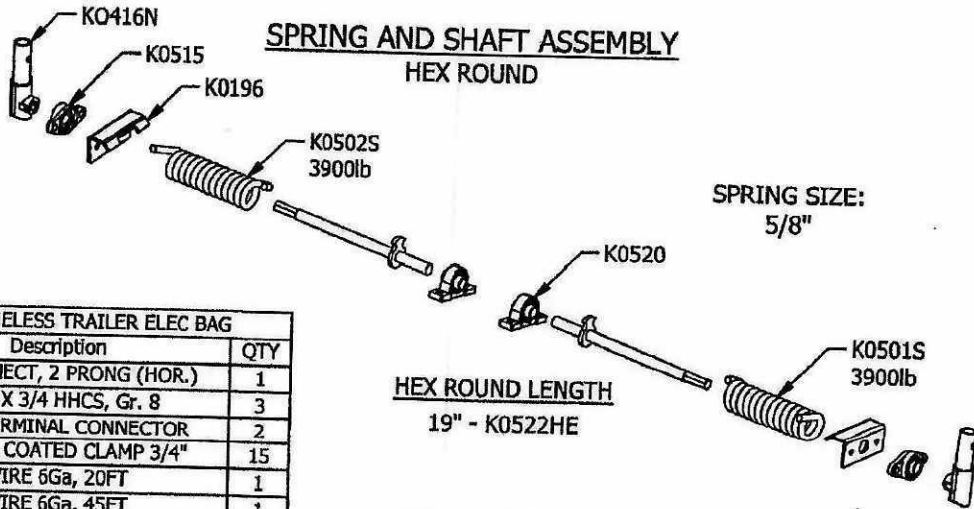


ARM AND CROSSOVER ASSEMBLY



J-HOOKS FOR CHAIN CONNECTORS		
P/N	Description	QTY
R0103R	STEEL J-HOOK	4
R0150	1/4" X 1" TEK SCREW	8

**SPRING AND SHAFT ASSEMBLY
HEX ROUND**



K0521S-CTS - FRAMELESS TRAILER ELEC BAG		
P/N	Description	QTY
K0173	DISCONNECT, 2 PRONG (HOR.)	1
K0113	5/16 X 3/4 HHCS, Gr. 8	3
K0145	RING TERMINAL CONNECTOR	2
K0151	RUBBER COATED CLAMP 3/4"	15
K0146CTS	WIRE 6Ga, 20FT	1
K0146CTS45	WIRE 6Ga, 45FT	1
K014615	WIRE 14Ga, PER FOOT	15FT
K0164	RUBBER GROMMET	4
K0176Q	ROCKER SWITCH ASSY	1
K0176RSB	MNT BRKT. FOR ROCKER SWTCH	1
K0179	STUB SHAFT	1
K0187	BEARING ABF-013 3/4"	1
K0200	WIRE TIES 8" BLACK	20
K0212	3/8 X 3/4 HHCS	5
K0353	3/8 FLAT WASHER	5
K0366	5/16 FLAT WASHER	11
K0365	5/16 X 7/8 HHCS	2
K0365B	5/16 LOCK WASHER	3
K0391	5/16 X 2-1/2 HHCS	2
K0396	5/16 LOCK NUT	4
R0150	1/4 X 1 TEK SCREW	17
WD-K0176Q	WIRING DIAGRAM FOR K0176	1

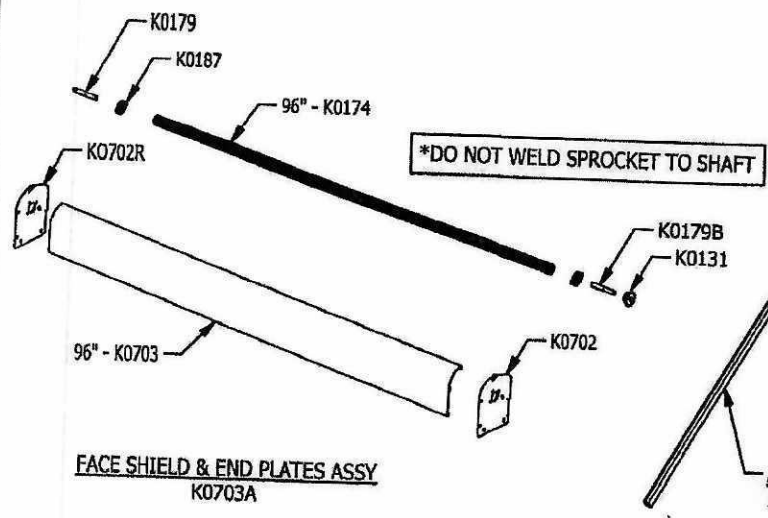
K0514D - Donut & Clamp Bag		
P/N	Description	QTY
K0424S	RUBBER DONUT (SET OF 2)	1
K0426	HOSE CLAMP	2

K0514B - Arm Bolt Bag		
P/N	Description	QTY
K0110	3/8 X 2-1/2 HHCS	4
K0353	3/8 FLAT WASHER	8
K0356	3/8 LOCK NUT	4

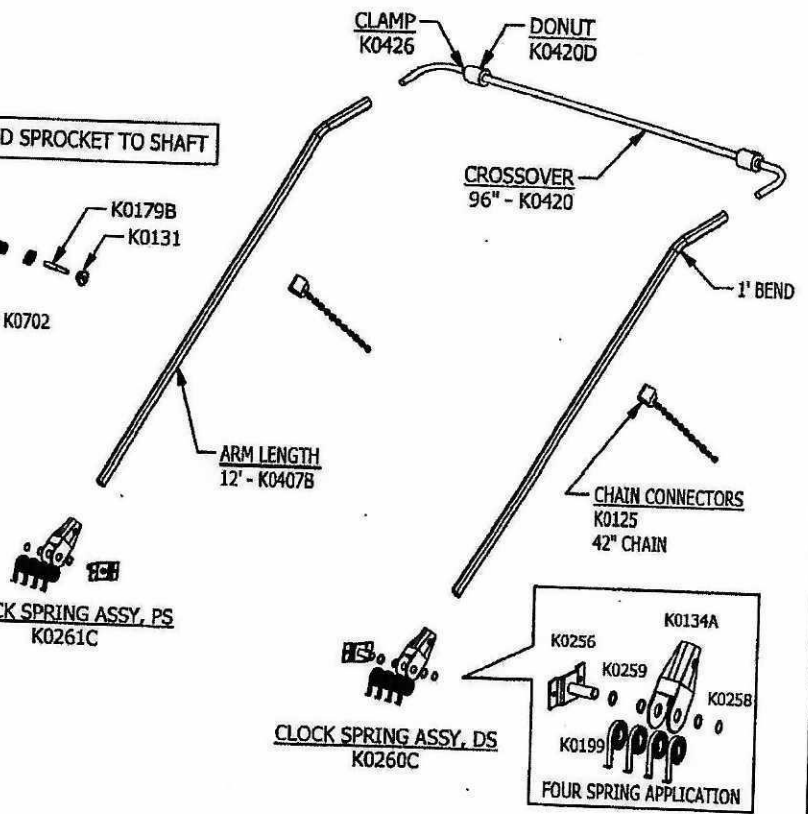
K0514C - UNDERBODY ROUND BOLT BAG		
P/N	Description	QTY
K0353	3/8 FLAT WASHER	16
K0356	3/8 LOCK NUT	8
K0386	3/8 X 1-1/2 HHCS	4
K0387	3/8 X 2 HHCS	4

PART #	KIT DESCRIPTION	PRICE	PART #	KIT DESCRIPTION	PRICE
K620TME					

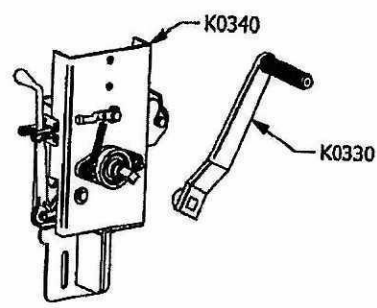
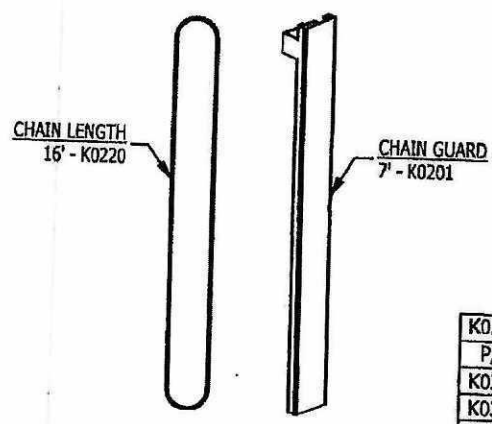
**FACE SHIELD & END PLATES
MANUAL ASSEMBLY**



ARM AND CROSSOVER ASSEMBLY

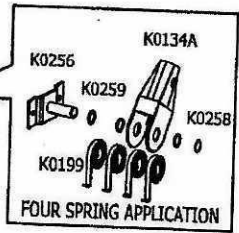


CHAIN AND GEARBOX ASSEMBLY



CLOCK SPRING ASSY, PS
K0261C

CLOCK SPRING ASSY, DS
K0260C



Face Shield Attachment Bolts		
P/N	Description	QTY
R0160	3/8" X 1-1/2" TYPE-23 T/C	6

J-HOOKS FOR CHAIN CONNECTORS		
P/N	Description	QTY
R0103R	STEEL J-HOOK	4
R0150	1/4" X 1" TEK SCREW	8

K0514V - CLOCK SPRING BOLT BAG (SET OF 2)		
P/N	Description	QTY
K0380	1/2" X 1-1/2" HHCS	2
K0381	1/2" FLAT WASHER	4
K0382	1/2" LOCK NUT	2

K0514A - Gearbox & Chainguard Bolt Bag		
P/N	Description	QTY
K0353	3/8 FLAT WASHER	8
K0355	3/8 NUT	4
K0356	3/8 LOCKNUT	2
K0384	3/8 X 1 CARRIAGE BOLT	2
K0385	3/8 X 1-1/4 CARRIAGE BOLT	2
K0386	3/8 X 1-1/2 HHCS	2
R0163	3/8 LOCK WASHER	4

K0514D - Donut & Clamp Bag		
P/N	Description	QTY
K0424S	RUBBER DONUT (SET OF 2)	1
K0426	HOSE CLAMP	2

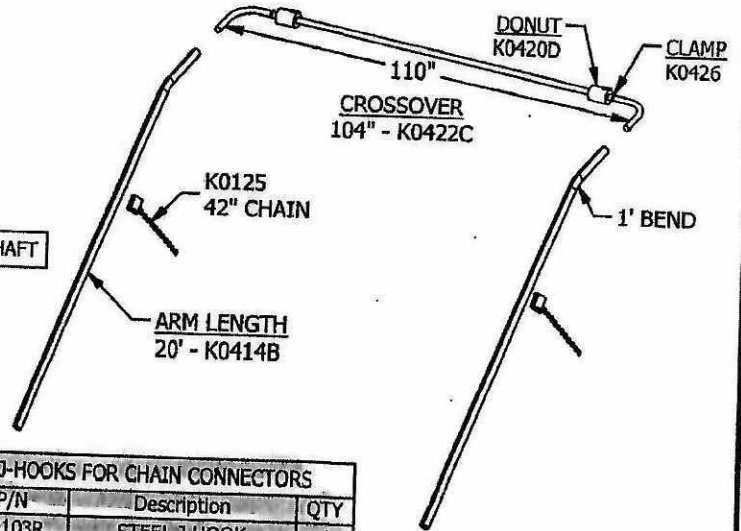
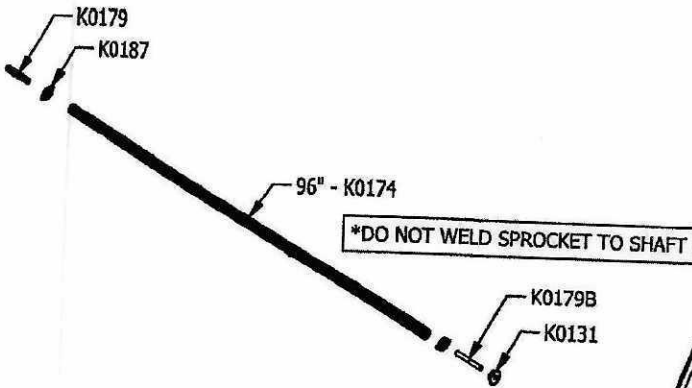
K0514TX - Tarp / Roller Mounting Bolts		
P/N	Description	QTY
K0365	5/16 X 7/8 HHCS, Gr. 8	4
K0366	5/16 FLAT WASHER	12
K0391	5/16 X 2-1/2 HHCS, Gr. 8	2
K0396	5/16" LOCK NUT	6
K0212	3/8 X 3/4 HHCS, Gr. 5	5
K0353	3/8 FLAT WASHER	5

K0514BOX - Arm Bolt Bag		
P/N	Description	QTY
K0110	3/8 X 2-1/2 HHCS	2
K0353	3/8 FLAT WASHER	4
K0356	3/8 LOCK NUT	2

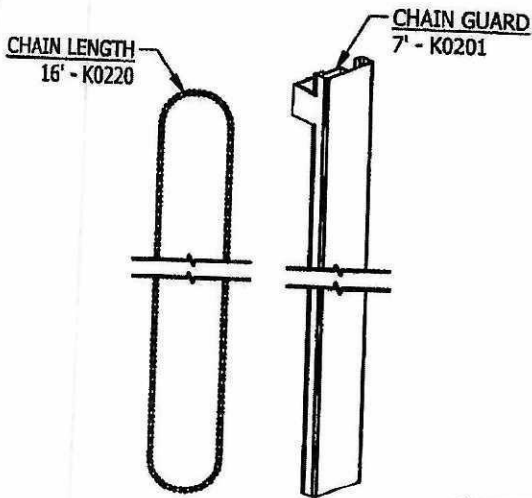
PART #	KIT DESCRIPTION	PRICE	PART #	KIT DESCRIPTION	PRICE
K612CSM					

TARP ROLLER
MANUAL ASSEMBLY

ARM AND CROSSOVER ASSEMBLY

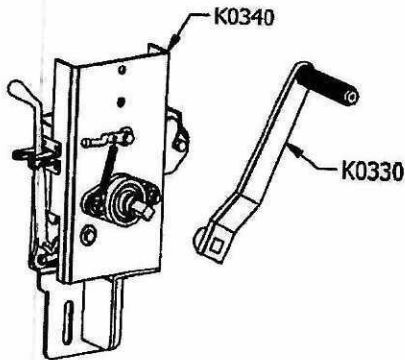
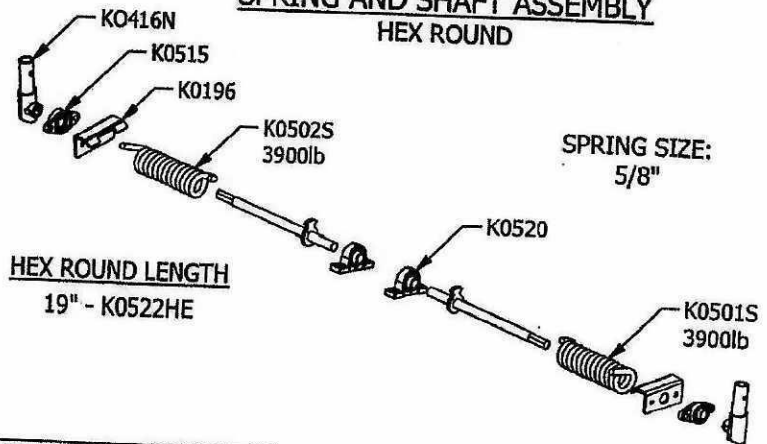


CHAIN AND GEARBOX ASSEMBLY



J-HOOKS FOR CHAIN CONNECTORS		
P/N	Description	QTY
R0103R	STEEL J-HOOK	4
R0150	1/4" X 1" TEK SCREW	8

SPRING AND SHAFT ASSEMBLY
HEX ROUND



K0514TX - Tarp / Roller Mounting Bolts		
P/N	Description	QTY
K0365	5/16 X 7/8 HHCS, Gr. 8	4
K0366	5/16 FLAT WASHER	12
K0391	5/16 X 2-1/2 HHCS, Gr. 8	2
K0396	5/16" LOCK NUT	6
K0212	3/8 X 3/4 HHCS, Gr. 5	5
K0353	3/8 FLAT WASHER	5

K0514A - Gearbox & Chainguard Bolt Bag		
P/N	Description	QTY
K0353	3/8 FLAT WASHER	8
K0355	3/8 NUT	4
K0356	3/8 LOCKNUT	2
K0384	3/8 X 1 CARRIAGE BOLT	2
K0385	3/8 X 1-1/4 CARRIAGE BOLT	2
K0386	3/8 X 1-1/2 HHCS	2
R0163	3/8 LOCK WASHER	4

K0514B - Arm Bolt Bag		
P/N	Description	QTY
K0110	3/8 X 2-1/2 HHCS	4
K0353	3/8 FLAT WASHER	8
K0356	3/8 LOCK NUT	4

K0514D - Donut & Clamp Bag		
P/N	Description	QTY
K0424S	RUBBER DONUT (SET OF 2)	1
K0426	HOSE CLAMP	2

K0514C - UNDERBODY ROUND BOLT BAG		
P/N	Description	QTY
K0353	3/8 FLAT WASHER	16
K0356	3/8 LOCK NUT	8
K0386	3/8 X 1-1/2 HHCS	4
K0387	3/8 X 2 HHCS	4

PART #	KIT DESCRIPTION	PRICE	PART #	KIT DESCRIPTION	PRICE
K620TMM					